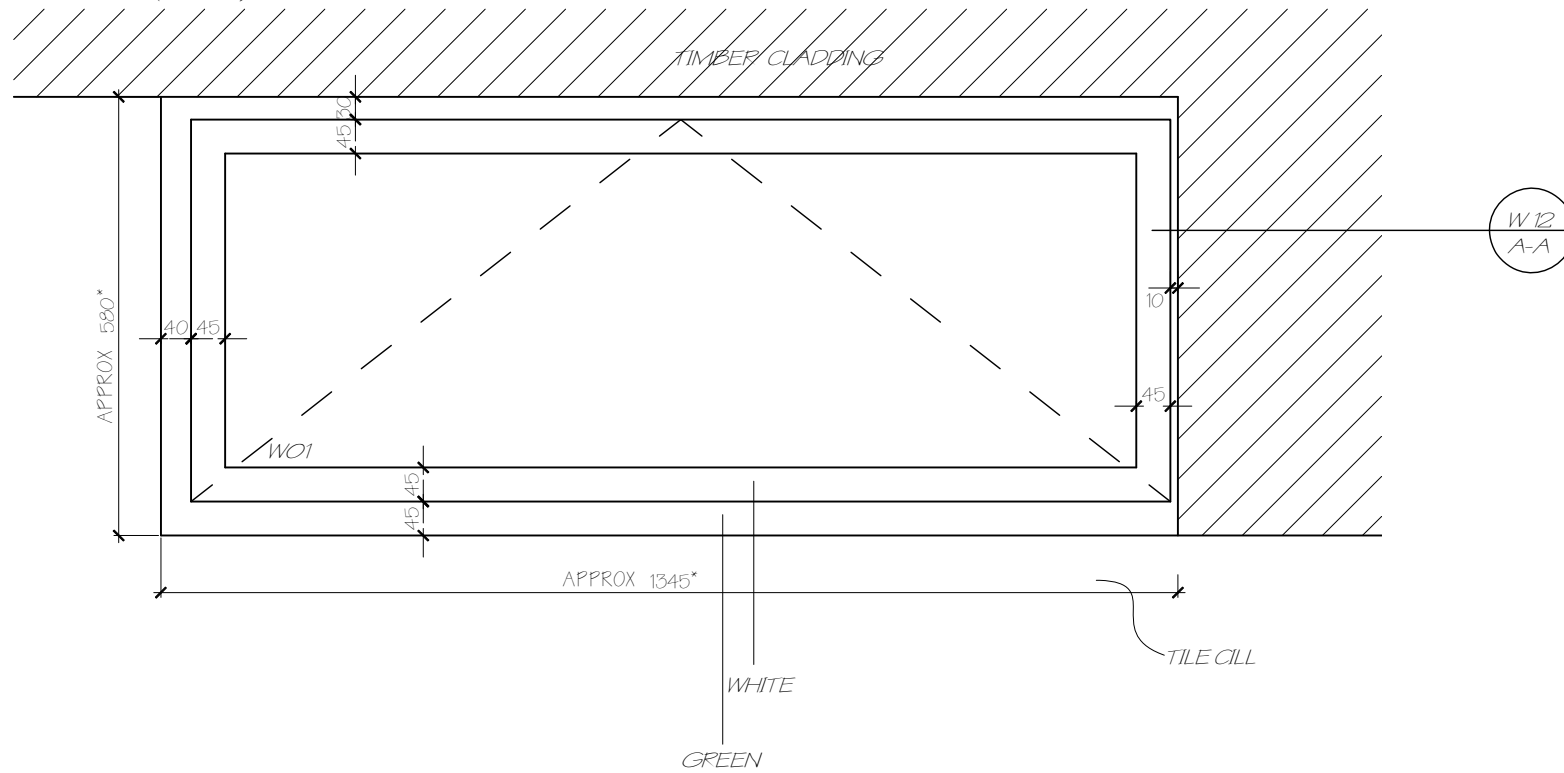


WINDOW 1 (FIRST) - BATHROOM



NOTES: (APPLIES TO BOTH 1 & 4)

HEAD AND RIGHT HAND SIDE OF WINDOW CONCEALED BEHIND TIMBER FASCIA

* OVERALL DIMENSIONS TO BE CHECKED ON SITE FOR EACH WINDOW

TILE CILL LAPS UP BENEATH WINDOW CILL.

FRAME TO BE FINISHED IN GREEN (COLOUR REF. BS4800 12B21 MINERAL GREEN)

OPENING LIGHTS TO BE FINISHED IN WHITE (COLOUR REF. BS4800...)

INTERNAL FINISH TO BE WHITE TO ALL SURFACES.

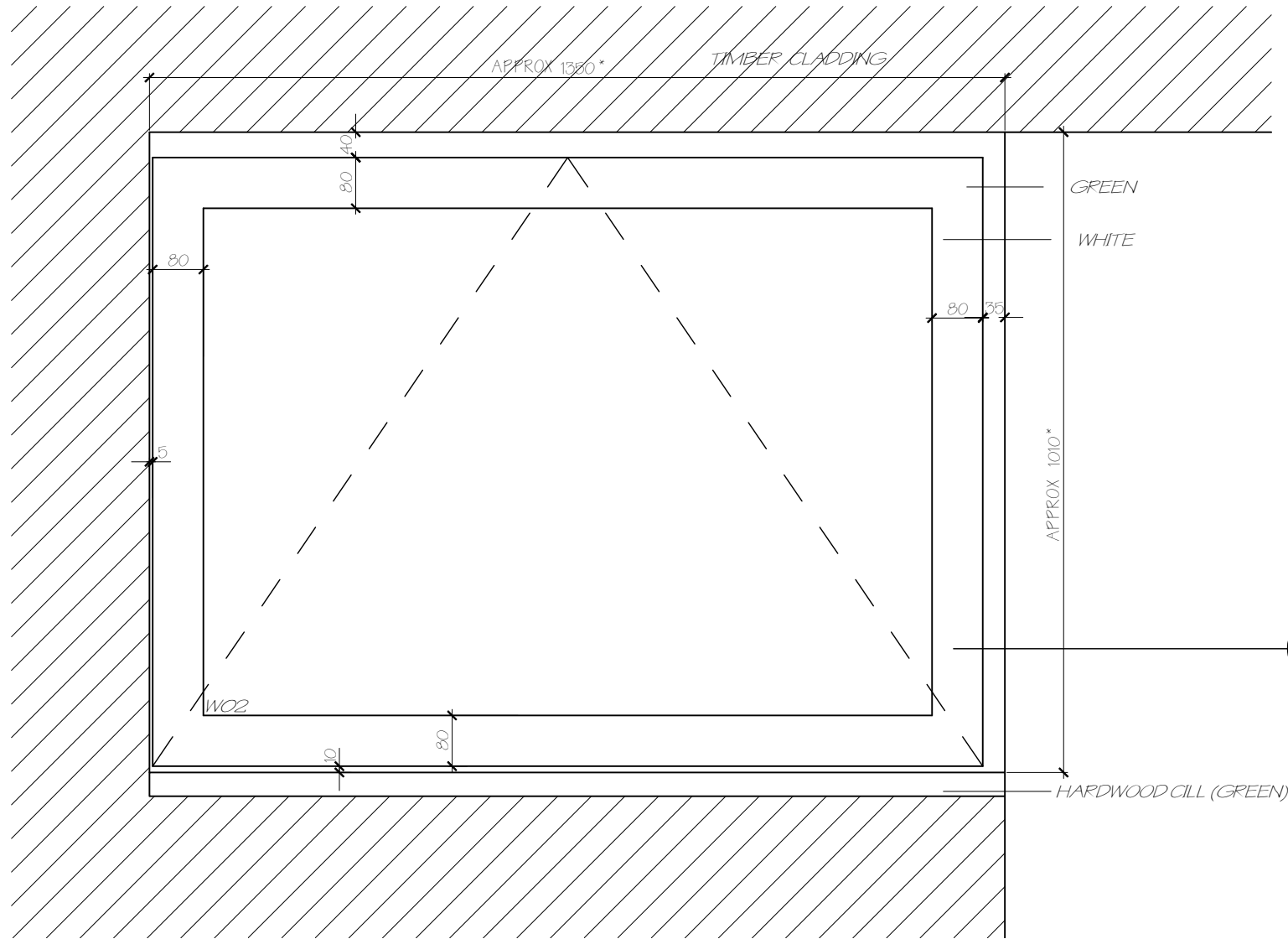
CEDAR CHASE, TAPLOW
WINDOW SURVEY
SPAN HOUSING TYPE C30
(SURVEY BASED ON NO. 19)

AFTER THE ORIGINAL DESIGN BY:

| | |
|--|--|
| ERIC LYONS Chartered Architect MILL HOUSE BRIDGE ROAD HAMPTON COURT SURREY | OBE FRIBA MSIA Design Consultant MILL HOUSE BRIDGE ROAD HAMPTON COURT SURREY |
|--|--|

| | |
|-------------|-------------------|
| SCALE | 1:10 @ A4 |
| DATE | OCTOBER 2014 |
| DRAWN BY: | AOK CHECKED BY MK |
| DRAWING NO: | W01 REV. 0 |

WINDOW 2 (FIRST) - BEDROOM 3



NOTES: HEAD, FOOT & LEFT HAND SIDE OF WINDOW CONCEALED BEHIND TIMBER FASCIA

* OVERALL DIMENSIONS TO BE CHECKED ON SITE FOR EACH WINDOW

FRAME TO BE FINISHED IN GREEN (COLOUR REF. BS4800 12B21 MINERAL GREEN)

OPENING LIGHTS TO BE FINISHED IN WHITE (COLOUR REF. BS4800...)

INTERNAL FINISH TO BE WHITE TO ALL SURFACES.

CEDAR CHASE, TAPLOW
WINDOW SURVEY
SPAN HOUSING TYPE C30
(SURVEY BASED ON NO. 19)

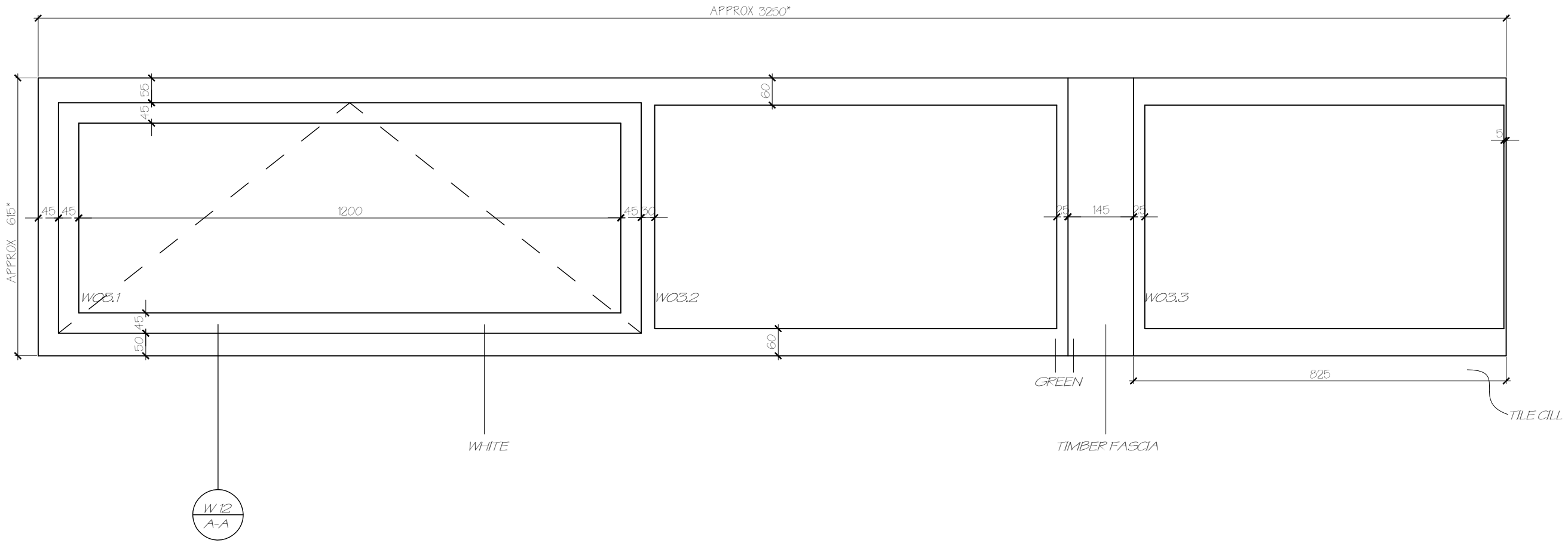
AFTER THE ORIGINAL DESIGN BY:

ERIC LYONS
Chartered Architect
MILL HOUSE BRIDGE ROAD HAMPTON COURT SURREY

OBE FRIBA MSIA
Design Consultant

SCALE 1:10 @ A4
DATE OCTOBER 2014
DRAWN BY: AOK CHECKED BY MK
DRAWING NO: W02 REV. 0

WINDOW 3 (GROUND) - DINING ROOM / KITCHEN



NOTES: * OVERALL DIMENSIONS TO BE CHECKED ON SITE FOR EACH WINDOW

FRAME TO BE FINISHED IN GREEN (COLOUR REF. BS4800 12B21 MINERAL GREEN)

OPENING LIGHTS TO BE FINISHED IN WHITE (COLOUR REF. BS4800...)

INTERNAL FINISH TO BE WHITE TO ALL SURFACES.

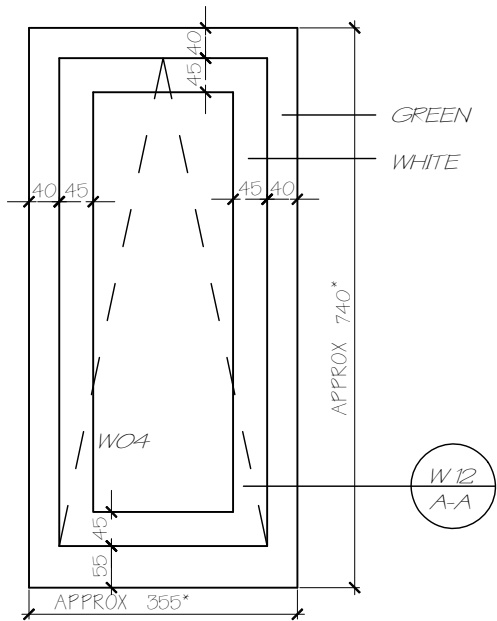
CEDAR CHASE, TAPLOW WINDOW SURVEY SPAN HOUSING TYPE C30 (SURVEY BASED ON NO. 19)

AFTER THE ORIGINAL DESIGN BY:

| | |
|---|---|
| ERIC LYONS Chartered Architect MILL HOUSE BRIDGE ROAD HAMPTON COURT SURREY | OBE FRIBA MSIA Design Consultant MILL HOUSE BRIDGE ROAD HAMPTON COURT SURREY |
|---|---|

| | |
|-------------|-------------------|
| SCALE | 1:10 @ A3 |
| DATE | OCTOBER 2014 |
| DRAWN BY: | AOK CHECKED BY MK |
| DRAWING NO: | W03 REV.0 |

WINDOW 4 (GROUND) - WC



NOTES: * OVERALL DIMENSIONS TO BE CHECKED ON SITE FOR EACH WINDOW

TILE CILL LAPS UP BENEATH WINDOW CILL.

FRAME TO BE FINISHED IN GREEN (COLOUR REF. BS4800 12B21 MINERAL GREEN)

OPENING LIGHTS TO BE FINISHED IN WHITE (COLOUR REF. BS4800...)

INTERNAL FINISH TO BE WHITE TO ALL SURFACES.

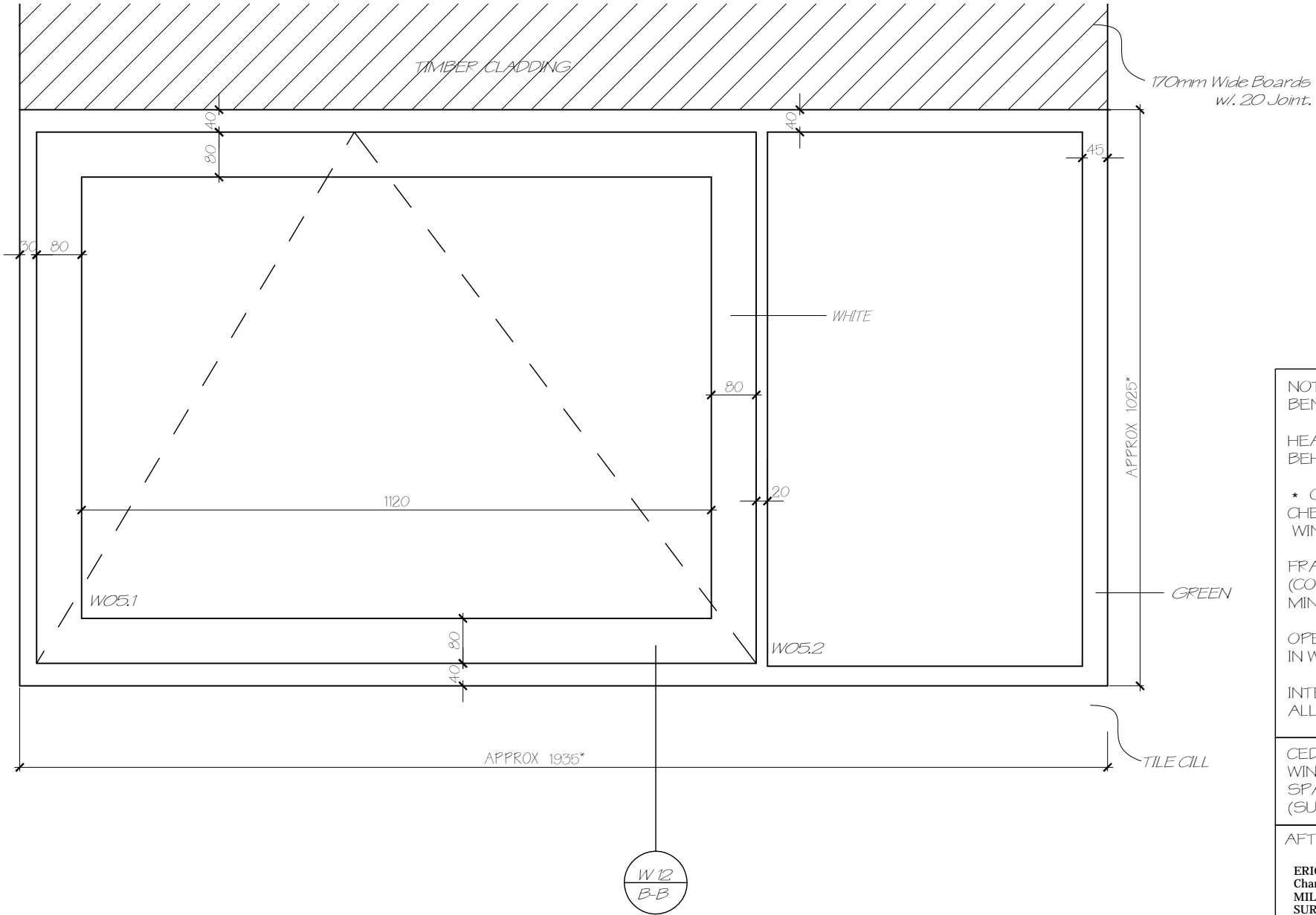
CEDAR CHASE, TAPLOW
WINDOW SURVEY
SPAN HOUSING TYPE C30
(SURVEY BASED ON NO. 19)

AFTER THE ORIGINAL DESIGN BY:

ERIC LYONS OBE FRIBA MSIA
Chartered Architect Design Consultant
MILL HOUSE BRIDGE ROAD HAMPTON COURT
SURREY

SCALE 1:10 @ A4
DATE OCTOBER 2014
DRAWN BY: AOK CHECKED BY MK
DRAWING NO: W04 REV. 0

WINDOW 5 (FIRST) - BEDROOM 1



NOTES: TILE CILL LAPS UP BENEATH WINDOW CILL

HEAD OF WINDOW CONCEALED BEHIND TIMBER FASCIA

* OVERALL DIMENSIONS TO BE CHECKED ON SITE FOR EACH WINDOW

FRAME TO BE FINISHED IN GREEN (COLOUR REF. BS4800 12B21 MINERAL GREEN)

OPENING LIGHTS TO BE FINISHED IN WHITE (COLOUR REF. BS4800...)

INTERNAL FINISH TO BE WHITE TO ALL SURFACES.

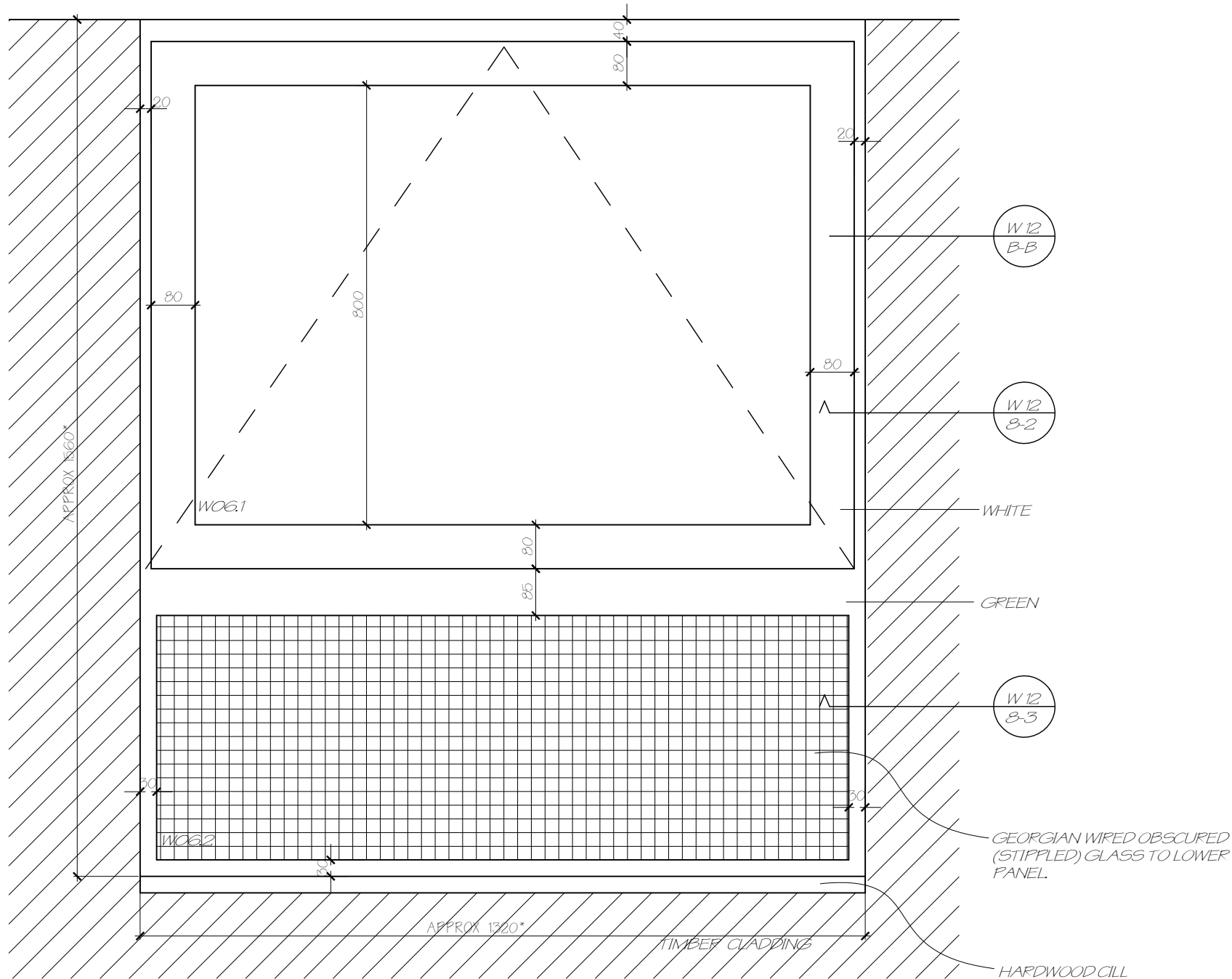
CEDAR CHASE, TAPLOW WINDOW SURVEY SPAN HOUSING TYPE C30 (SURVEY BASED ON NO. 19)

AFTER THE ORIGINAL DESIGN BY:

| | |
|---|--|
| ERIC LYONS Chartered Architect MILL HOUSE BRIDGE ROAD HAMPTON COURT SURREY | OBE FRIBA MSIA Design Consultant |
|---|--|

SCALE 1:10 @ A4
 DATE OCTOBER 2014
 DRAWN BY: AOK CHECKED BY MK
 DRAWING NO: W05 REV. 0

WINDOW 6 (FIRST) - BEDROOM 1



NOTES: FOOT, RIGHT & LEFT HAND SIDES OF WINDOW OBSCURED BY TIMBER CLADDING.

* OVERALL DIMENSIONS TO BE CHECKED ON SITE FOR EACH WINDOW

OVERALL WIDTH OF WINDOW APPROX. 1320mm ON HOUSES 1-17

FRAME TO BE FINISHED IN GREEN (COLOUR REF. BS4800 12B21 MINERAL GREEN)

OPENING LIGHTS TO BE FINISHED IN WHITE (COLOUR REF. BS4800...)

INTERNAL FINISH TO BE WHITE TO ALL SURFACES.

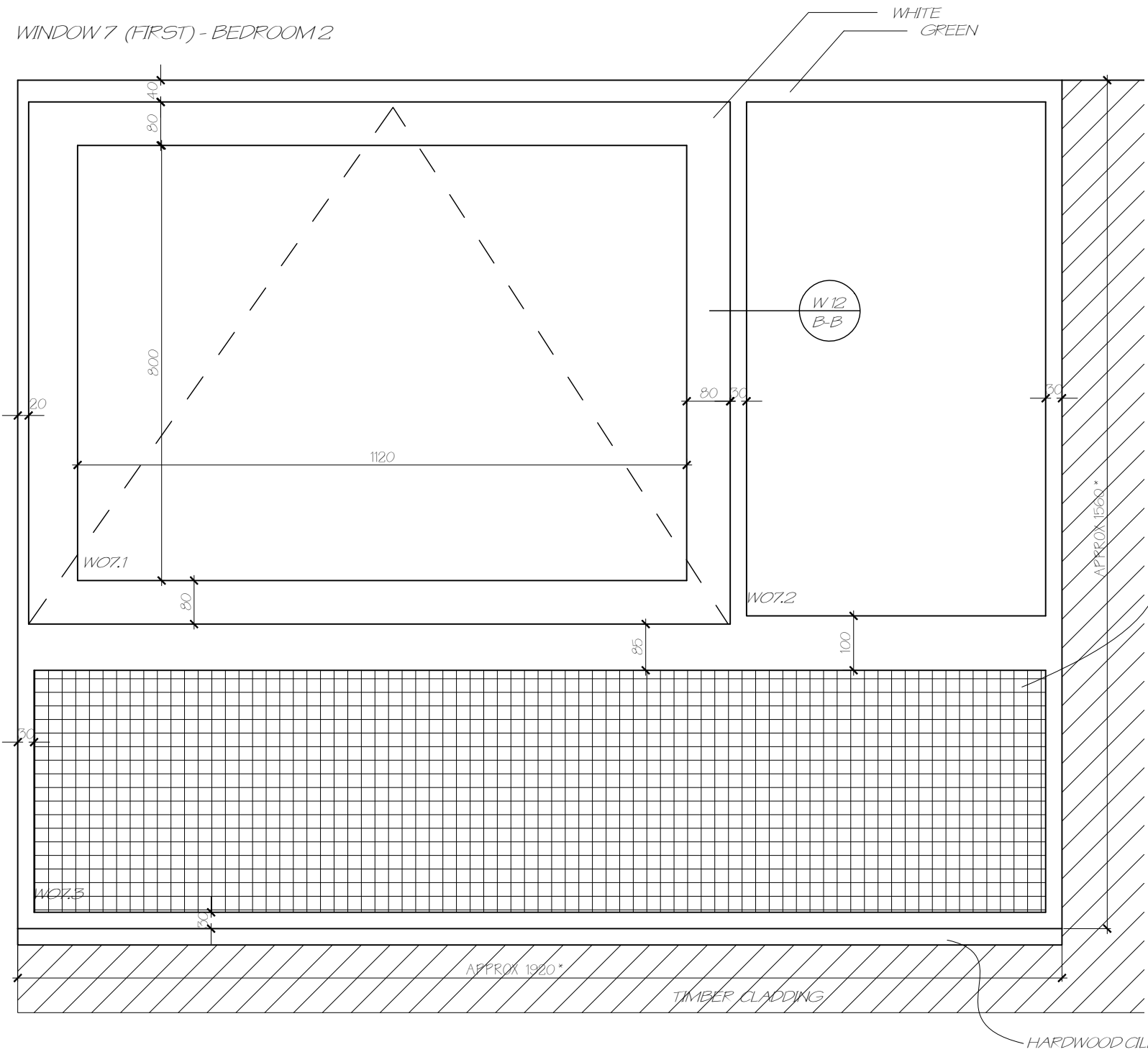
CEDAR CHASE, TAPLOW WINDOW SURVEY SPAN HOUSING TYPE C30 (SURVEY BASED ON NO. 19)

AFTER THE ORIGINAL DESIGN BY:

| | |
|---|--|
| ERIC LYONS Chartered Architect | OBE FRIBA MSIA Design Consultant |
| MILL HOUSE BRIDGE ROAD HAMPTON COURT SURREY | |

SCALE 1:10 @ A4
 DATE OCTOBER 2014
 DRAWN BY: AOK CHECKED BY MK
 DRAWING NO: W06 REV.0

WINDOW 7 (FIRST) - BEDROOM 2



GEORGIAN WIRED OBSCURED (STIPPLED) GLASS TO LOWER PANEL. HARDWOOD CILL.

NOTES: FOOT & RIGHT HAND SIDES OF WINDOW OBSCURED BY TIMBER CLADDING.

* OVERALL DIMENSIONS TO BE CHECKED ON SITE FOR EACH WINDOW

FRAME TO BE FINISHED IN GREEN (COLOUR REF. BS4800 12B21 MINERAL GREEN)

OPENING LIGHTS TO BE FINISHED IN WHITE (COLOUR REF. BS4800...)

INTERNAL FINISH TO BE WHITE TO ALL SURFACES.

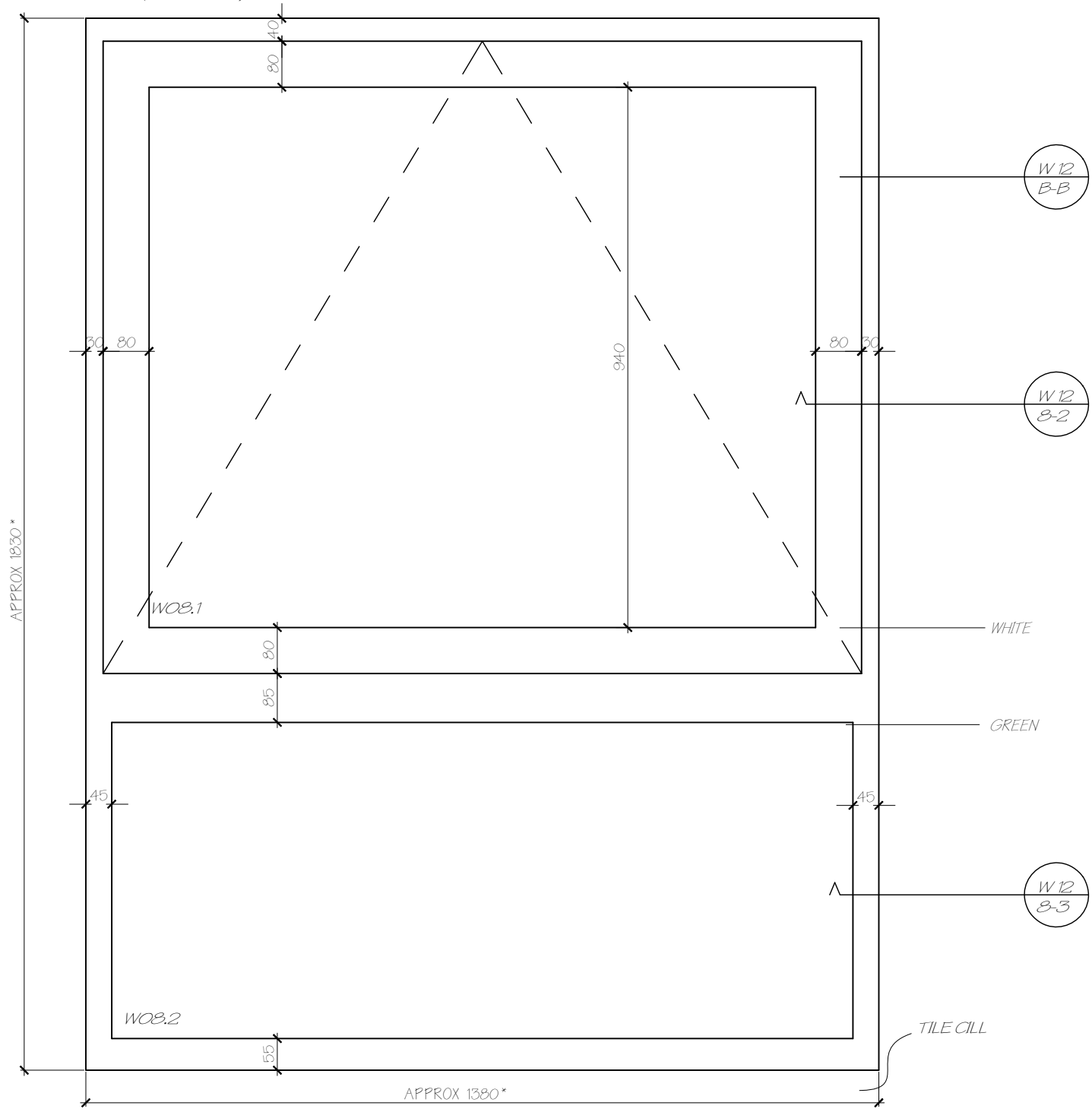
CEDAR CHASE, TAPLOW WINDOW SURVEY SPAN HOUSING TYPE C30 (SURVEY BASED ON NO. 19)

AFTER THE ORIGINAL DESIGN BY:

ERIC LYONS
Chartered Architect
MILL HOUSE BRIDGE ROAD HAMPTON COURT SURREY

OBE FRIBA MSIA
Design Consultant

SCALE 1:10 @ A4
DATE OCTOBER 2014
DRAWN BY: AOK CHECKED BY MK
DRAWING NO: W07 REV. 0



NOTES: NEW STEEL REQUIRED TO HEAD OF WINDOW TO SUPPORT OUTER LEAF BRICK COURSES ABOVE.

* OVERALL DIMENSIONS TO BE CHECKED ON SITE FOR EACH WINDOW

FRAME TO BE FINISHED IN GREEN (COLOUR REF. BS4800 12B21 MINERAL GREEN)

OPENING LIGHTS TO BE FINISHED IN WHITE (COLOUR REF. BS4800...)

INTERNAL FINISH TO BE WHITE TO ALL SURFACES.

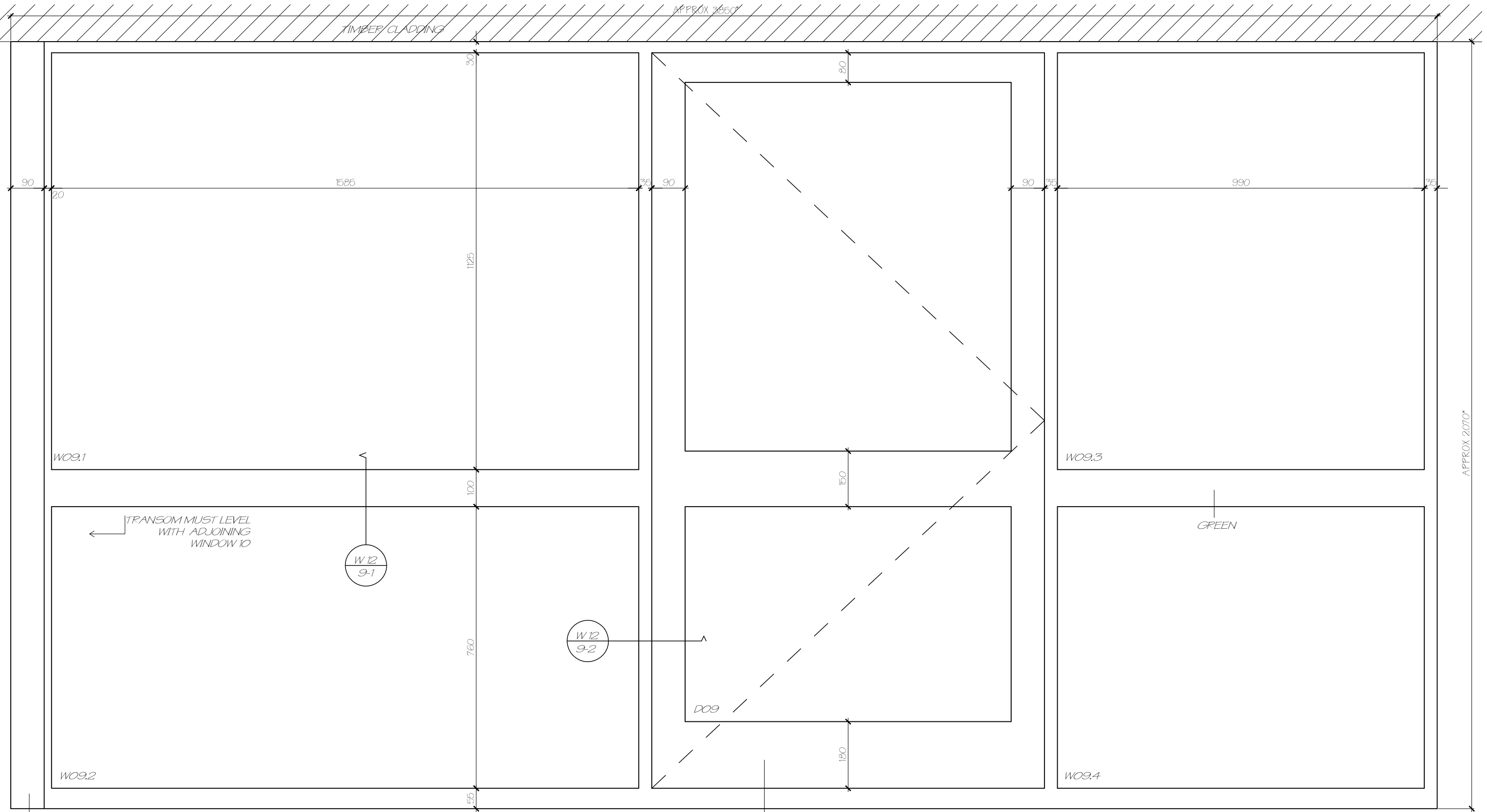
CEDAR CHASE, TAPLOW
WINDOW SURVEY
SPAN HOUSING TYPE C30
(SURVEY BASED ON NO. 19)

AFTER THE ORIGINAL DESIGN BY:

ERIC LYONS
Chartered Architect
MILL HOUSE BRIDGE ROAD HAMPTON COURT
SURREY

OBE FRIBA MSIA
Design Consultant

SCALE 1:10 @ A4
DATE OCTOBER 2014
DRAWN BY: AOK CHECKED BY MK
DRAWING NO: W08 REV. 0



TIMBER FASCIA

WHITE

FRAME TO BE FINISHED IN GREEN
(COLOUR REF. BS4800 12B21
MINERAL GREEN)

OPENING LIGHTS TO BE FINISHED
IN WHITE (COLOUR REF. BS4800...)

INTERNAL FINISH TO BE WHITE TO
ALL SURFACES.

NOTES: * OVERALL DIMENSIONS
TO BE CHECKED ON SITE FOR
EACH WINDOW

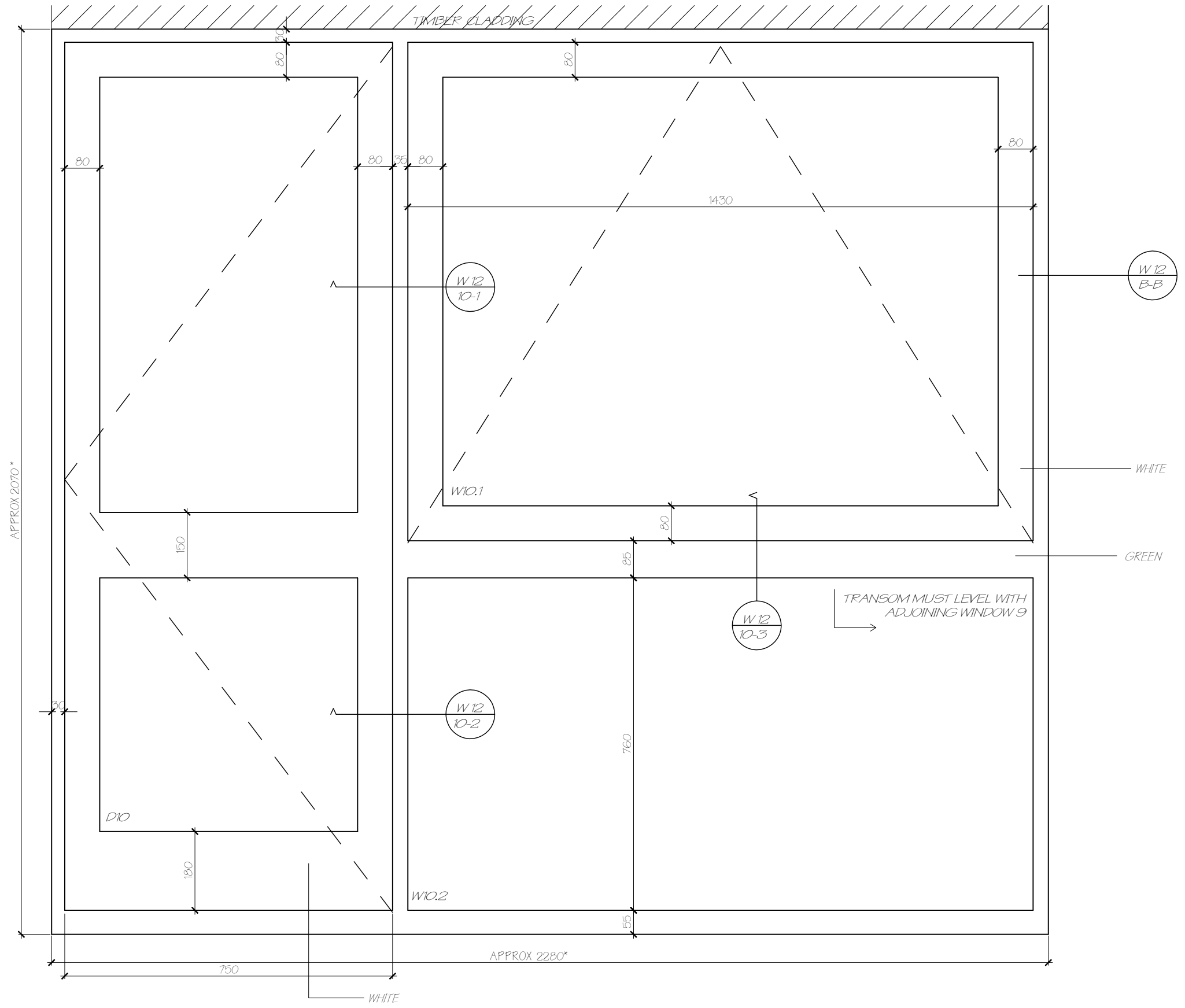
CEDAR CHASE, TAPLOW
WINDOW SURVEY
SPAN HOUSING TYPE C30
(SURVEY BASED ON NO. 19)

AFTER THE ORIGINAL DESIGN BY:
ERIC LYONS OBE FRIBA MSIA
Chartered Architect Design Consultant
MILL HOUSE BRIDGE ROAD HAMPTON COURT
SURREY

SCALE 1:10 @ A3
DATE OCTOBER 2014
DRAWN BY: AOK CHECKED BY: MK
DRAWING NO: W09 REV.0

APPROX 2070*

WINDOW 10 (GROUND) - DINING ROOM



NOTES: * OVERALL DIMENSIONS TO BE CHECKED ON SITE FOR EACH WINDOW

FRAME TO BE FINISHED IN GREEN (COLOUR REF. BS4800 12B21 MINERAL GREEN)

OPENING LIGHTS TO BE FINISHED IN WHITE (COLOUR REF. BS4800...)

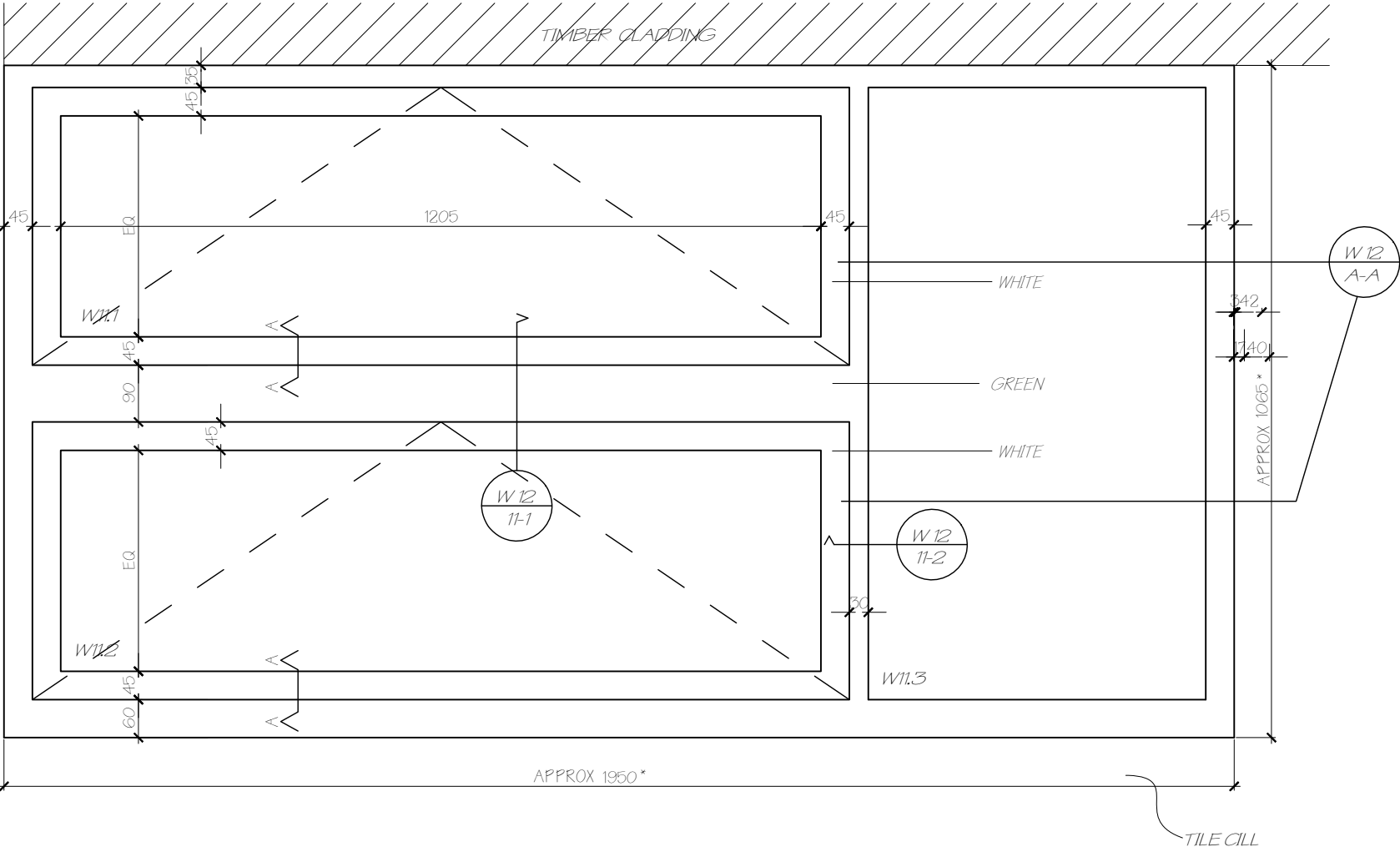
INTERNAL FINISH TO BE WHITE TO ALL SURFACES.

CEDAR CHASE, TAPLOW WINDOW SURVEY
 SPAN HOUSING TYPE C30 (SURVEY BASED ON NO. 19)

AFTER THE ORIGINAL DESIGN BY:
 ERIC LYONS OBE FRIBA MSIA
 Chartered Architect Design Consultant
 MILL HOUSE BRIDGE ROAD HAMPTON COURT SURREY

SCALE 1:10 @ A3
 DATE OCTOBER 2014
 DRAWN BY: AOK CHECKED BY MK
 DRAWING NO: W10 REV. 0

WINDOW 11 (GROUND) KITCHEN



NOTES: TILE CILL LAPS UP BENEATH WINDOW CILL.

HEAD OF WINDOW CONCEALED BEHIND TIMBER FASCIA.

* OVERALL DIMENSIONS TO BE CHECKED ON SITE FOR EACH WINDOW

FRAME TO BE FINISHED IN GREEN (COLOUR REF. BS4800 12B21 MINERAL GREEN)

OPENING LIGHTS TO BE FINISHED IN WHITE (COLOUR REF. BS4800...)

INTERNAL FINISH TO BE WHITE TO ALL SURFACES.

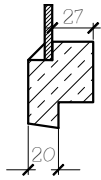
CEDAR CHASE, TAPLOW WINDOW SURVEY SPAN HOUSING TYPE C30 (SURVEY BASED ON NO. 19)

AFTER THE ORIGINAL DESIGN BY:

ERIC LYONS Chartered Architect
OBE FRIBA MSIA Design Consultant
MILL HOUSE BRIDGE ROAD HAMPTON COURT SURREY

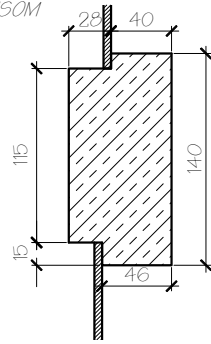
SCALE 1:10 @ A4
DATE OCTOBER 2014
DRAWN BY: AOK CHECKED BY MK
DRAWING NO: W11 REV. 0

FRAME A-A



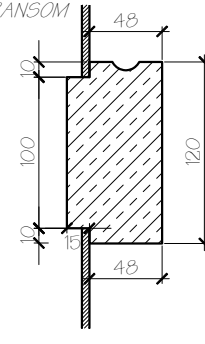
(W01, 03, 04, 11)

TRANSOM



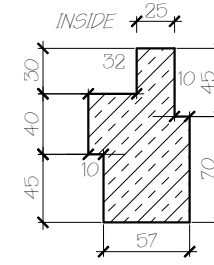
8 - 1

TRANSOM



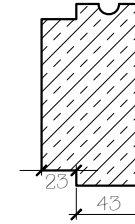
9 - 1

JAMB



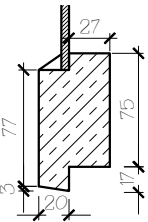
10 - 1

TRANSOM



11 - 1

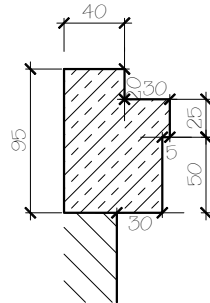
FRAME B-B



(W02, 05, 06, 07, 08 10)

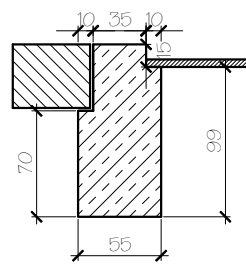
STET

JAMB



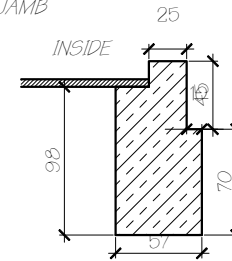
8 - 2

MULLION



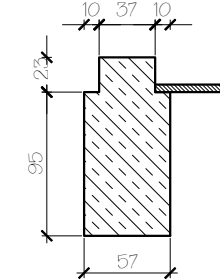
9 - 2

JAMB



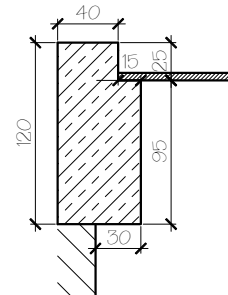
10 - 2

MULLION



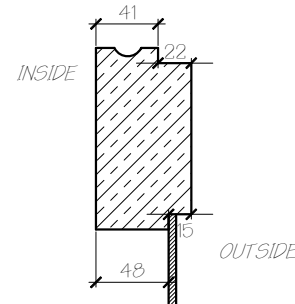
11 - 2

JAMB



8 - 3

TRANSOM



10 - 3

NOTES: EXISTING SECTIONS ASSUMING SINGLE 5mm GLAZING.

REPLACEMENT SECTIONS TO ACCOMMODATE DOUBLE GLAZING TO ACHIEVE U-VALUE IN ACCORDANCE WITH BUILDING REGULATIONS

CEDAR CHASE, TAPLOW WINDOW SURVEY SPAN HOUSING TYPE C30 (SURVEY BASED ON NO. 19)

AFTER THE ORIGINAL DESIGN BY:

ERIC LYONS Chartered Architect
OBE FRIBA MSIA Design Consultant
MILL HOUSE BRIDGE ROAD HAMPTON COURT SURREY

SCALE 1:5 @ A4
DATE OCTOBER 2014
DRAWN BY: AOK CHECKED BY MK
DRAWING NO: W12 REV. 0